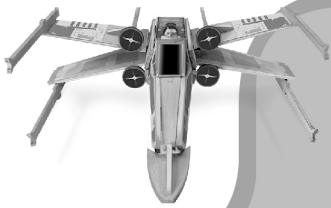


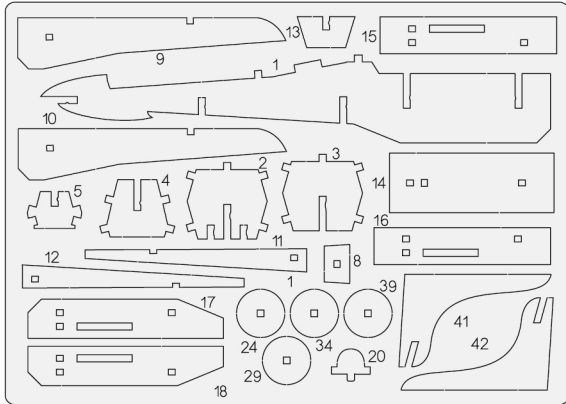
STAR WARS™

X-WING FIGHTER

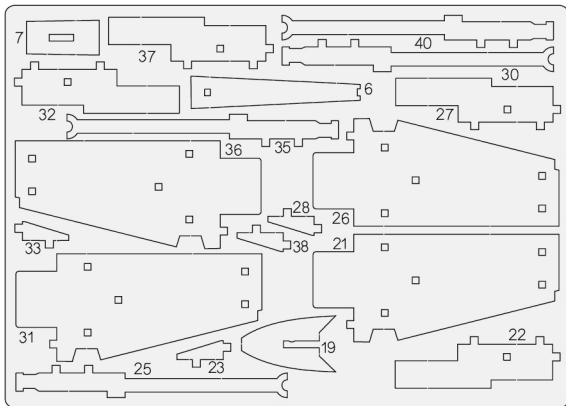
INSTRUCTIONS SHEET



- FOLLOWING THE STEPS, GENTLY REMOVE THE WOOD SHAPES FROM THE SHEETS. USE THE TOP END OF YOUR BRUSH TO HELP PRESS THEM OUT.
- ADD A DROP OF GLUE WHERE NECESSARY TO AFFIX WOOD SHAPES TOGETHER AND FIRMLY HOLD FOR APPROXIMATELY 30 SECONDS.

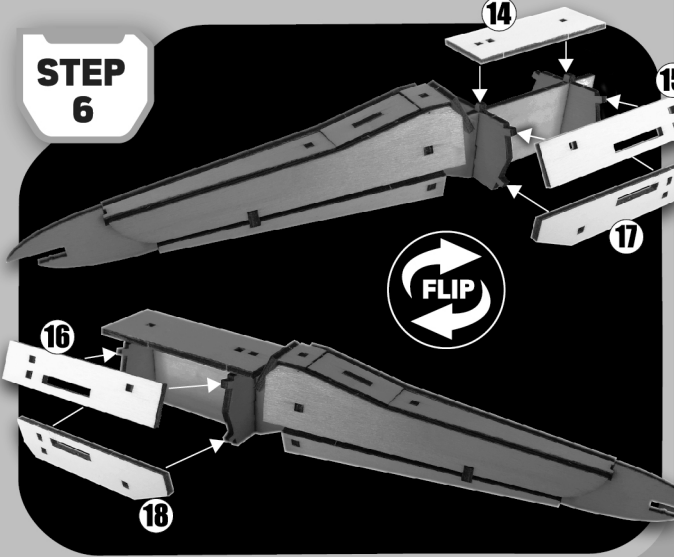
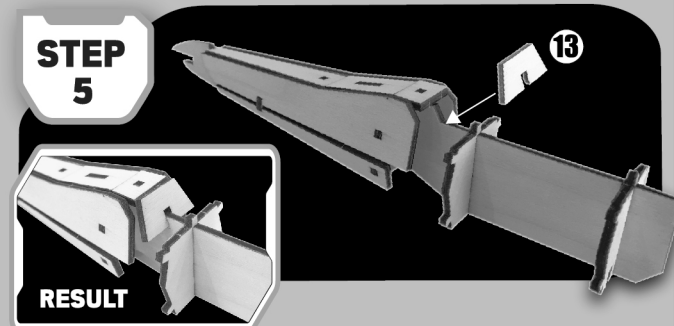
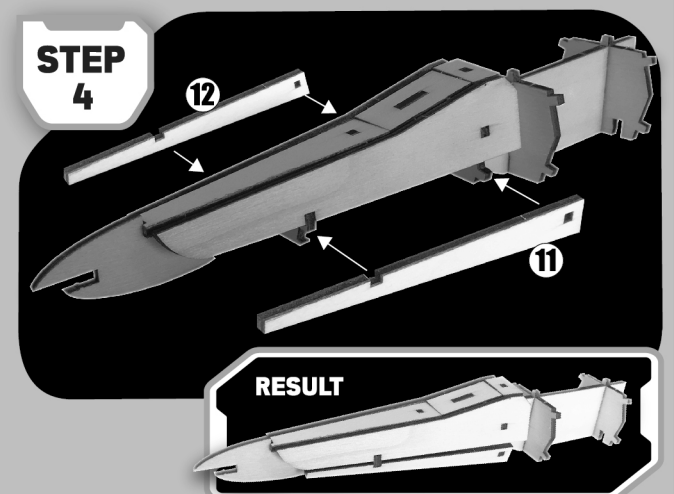
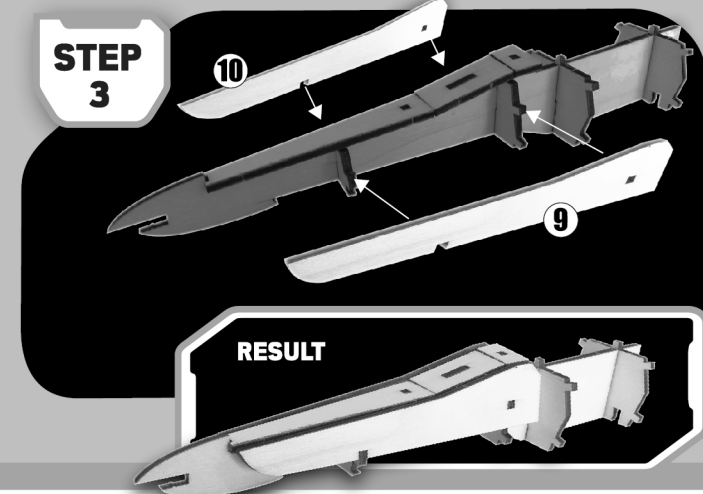
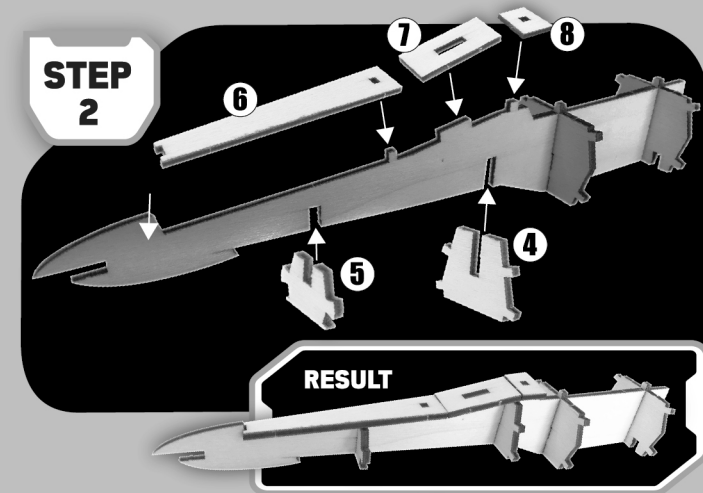
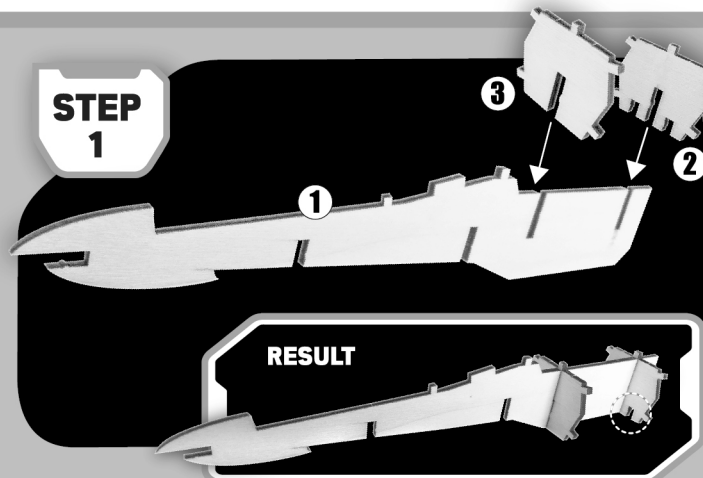


Sheet A



Sheet B

TIP:
DO NOT FORCE ANY WOODEN SHAPES INTO THEIR CORRESPONDING HOLES IF THEY DO NOT APPEAR TO FIT. GENTLY WIGGLE INTO PLACE GIVING MINIMAL FORCE. SOME PIECES MAY REQUIRE A LIGHT SAND WITH THE INCLUDED SANDPAPER.

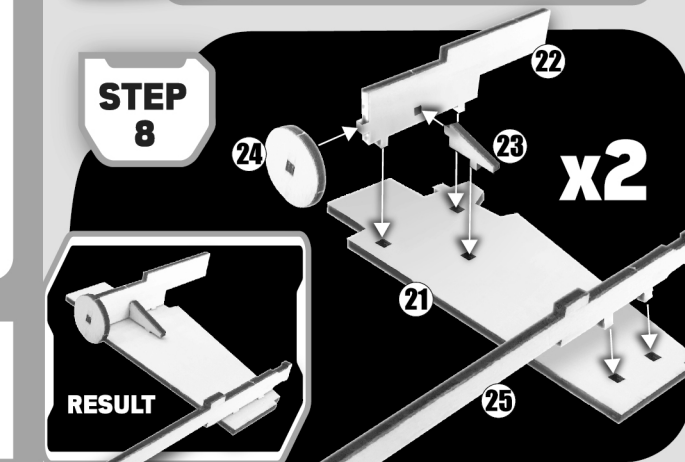


STEP 7



RESULT

STEP 8



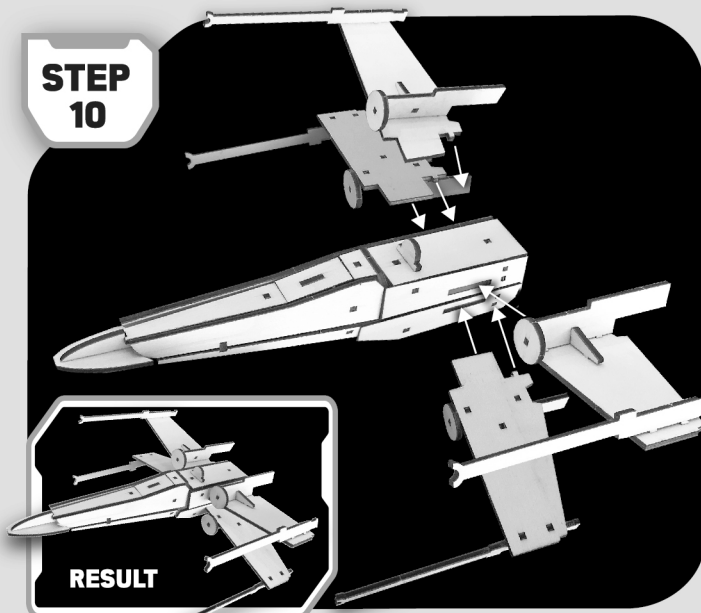
RESULT

STEP 9



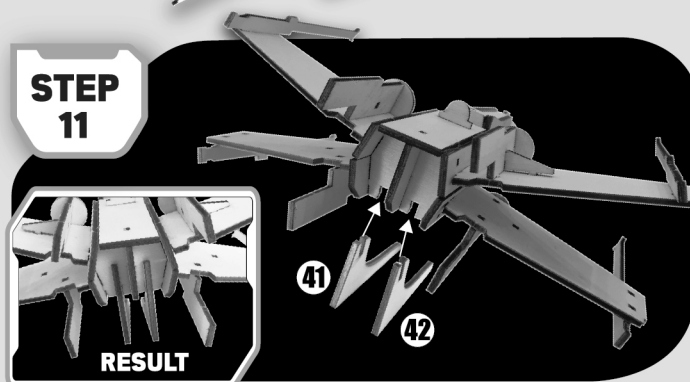
RESULT

STEP 10



RESULT

STEP 11



RESULT

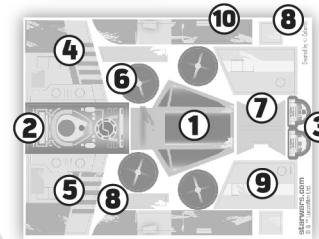
PAINT

- STIR PAINT BEFORE APPLICATION.
- FOR BEST RESULTS APPLY MULTIPLE COATS OF PAINT, ALLOWING TO DRY BETWEEN APPLICATIONS.
- CLEAN THE BRUSH WITH WARM WATER BEFORE CHANGING COLOURS.
- USE THE PICTURE ON THE FRONT OF THE BOX AS A COLOUR GUIDE.

SANDPAPER

LIGHTLY SAND ANY ROUGH AREAS OF WOOD IF REQUIRED BEFORE PAINTING.

STICK



NOW IT'S TIME TO PLACE YOUR STICKERS. CAREFULLY PEEL THEM OFF THE SHEET BUT MAKE SURE THE PAINT IS DRY BEFORE APPLYING. USE THE PICTURE ON THE FRONT OF THE BOX AS A COLOUR GUIDE.

THINKING GREEN! TIPS FOR SUSTAINABILITY

- Sell or donate your toy rather than landfilling it if possible.
- Dispose of packaging responsibly*
- *Check with your local authority for further information on responsible recycling.



Adult supervision required. Please retain packaging for future reference. Colour and shape of contents may vary.

Wood WorX™

CAUTION! Adult supervision required. When using paints or glue ensure carpets, clothes and furniture are protected. Avoid contact with skin and eyes. In case of contact with eyes rinse immediately with plenty of water and seek medical advice. If swallowed seek medical advice immediately. Please remove all packaging attachments before giving to child.

WARNING:
CHOKING HAZARD - Small Parts.
Not suitable for children under 3 years.



colorific™
www.colorific.com.au

Created by © Colorific
Colorific Australia: 1 800 801 545
info@colorific.com.au
Made in China



Item No. 174110

starwars.com

© & ™ Lucasfilm Ltd.